

V50HYLC SHOWN

# ***PRO-COM***

**V50HYLC**

**V50HYLD**

**Freestanding**

**Electric Fireplace**

## **Installation Instructions and Homeowner's Manual**

**WARNING! IF THE INFORMATION IN THIS MANUAL IS NOT FOLLOWED EXACTLY, A FIRE MAY RESULT CAUSING PROPERTY DAMAGE, PERSONAL INJURY OR LOSS OF LIFE.**



### **FOR YOUR SAFETY**

**DO NOT STORE  
OR USE GASOLINE OR OTHER  
FLAMMABLE VAPORS OR LIQUIDS  
IN THE VICINITY OF THIS OR ANY  
OTHER APPLIANCE**

ANSI/UL1278. MOVABLE AND WALL-OR CEILING HUNG ELECTRIC ROOM HEATERS

**INSTALLER: DO NOT DISCARD THIS MANUAL-LEAVE FOR HOME OWNER  
CUSTOMER : PLEASE RETAIN THIS MANUAL FOR FUTURE USE**

# TABLE OF CONTENTS

**PLEASE READ THE INSTALLATION & OPERATION INSTRUCTIONS BEFORE  
USING THIS APPLIANCE**

WE ARE PLEASED THAT YOU HAVE CHOSEN TO PURCHASE AN ELECTRIC FIREPLACE MANUFACTURED BY  
NANJING PRO-COM ELECTRIC APPLIANCE CO., LTD

**IMPORTANT: Read all instructions and warnings carefully before starting installation. Failure to  
follow these instructions may result in a possible electric shock, fire hazard and will void the  
warranty.**

<b>Important instructions</b> .....	<b>2</b>
General.....	2
Locating Your Electric Fireplace.....	2
Clearance To Combustibles.....	3
Electrical Connections.....	3
Electrical Specifications.....	3
<b>Service Instructions</b> .....	<b>3</b>
Replacing Light Bulbs.....	3
Glass Information.....	4
Maintenance of Motors.....	4
Electrical Wiring Diagram.....	4
<b>Operating Instructions</b> .....	<b>5</b>
On/Off Switch.....	5
Heater Control.....	5
Instructions for power.....	5、 6
Specifications.....	6
<b>Replacement Parts List (V50HYLC)</b> .....	<b>7</b>
Replacement Parts Pictures.....	7、 8
<b>Replacement Parts List (V50HYLD)</b> .....	<b>9</b>
Replacement Parts Pictures.....	9、 10

# IMPORTANT INSTRUCTIONS

## GENERAL

1. Read all instructions before using this appliance.
2. This appliance is hot when in use. To avoid burns, do not let bare skin touch hot surfaces. Keep combustible materials, such as furniture, pillows, bedding, papers, clothes, and curtains at least 3 feet(1m.) from the front of this appliance.
3. **CAUTION: Extreme caution is necessary when any heater is used by or near children or invalids and whenever the heater is left Operating and unattended.**
4. **Always unplug heater when not in use.**
5. **Do not operate any heater with a damaged cord or plug or after the heater malfunctions, has been dropped or damaged in any manner.**
6. Any repairs to this appliance should be carried out by a qualified service person.
7. Under no circumstances should this electric fireplace be modified. Parts having to be removed for servicing must be replaced prior to operating this electric fireplace again.
8. Do not use outdoors.
9. This heater is not intended for use in bathrooms, laundry areas or similar indoor locations. Never use this appliance near a bathtub or vicinity of water.
10. Do not run cord under carpeting. Do not cover cord with throw rugs, runners or the like. Arrange cord away from traffic areas and where it will not be tripped over.
11. To disconnect this appliance, turn controls to the off position and remove plug from outlet.
12. Connect to properly grounded outlets only.
13. When this appliance is installed, it must be electrically grounded in accordance with local codes with the current CSA C22.1 Canadian local codes of for USA installations. Follow local codes and National Electrical Code, ANSI/NFPA NO.70 and Canadian Code: CZ 22.2 NO.0.
14. Do not insert or allow foreign objects to enter any ventilation or exhaust opening as this may cause electric shock, fire or damage to the appliance.
15. To prevent fire, do not block air intakes or exhaust in any manner. Do not use on soft surfaces, such as a bed, where openings may become blocked.
16. Caution this appliance gets hot and it contains internal parts that could arc or spark. Do not use it in areas where gasoline, paint, or flammable liquids are used or stored. This electric fireplace should not be used as a drying rack for clothing. Also, do not have Christmas stockings or decorations hung on or near it.
17. Use this appliance only as described in this manual. All other uses not recommended by the manufacturer may cause fire, electric shock, or injury.
18. Avoid the use of an extension cord because it may overheat and cause a fire hazard. However if you must use an extension cord, the cord shall be NO.16, 1900 Watts. The extension cord must be a three wire cord with grounding type plug and cord connector.
19. **SAVE THESE INSTRUCTIONS.**

## LOCATING YOUR ELECTRIC FIREPLACE

Your new freestanding electric fireplace may be installed virtually anywhere in your home. However when choosing a location for your new electric fireplace, ensure that the general instructions are followed. For best effect results, install the electric fireplace out of direct sunlight.

## CLEARANCE TO COMBUSTIBLES

Back.....	2"/50.8mm
Sides.....	6"/156.4mm
Floor.....	0"/0mm
Top.....	24"/610mm

## ELECTRICAL CONNECTION

A 15 AMP, 120 Volt, 60Hz circuit with a properly grounded outlet is required. Preferably, the heater will be on a dedicated circuit. Other appliances on the same circuit may cause the circuit breaker to trip or the fuse to blow when the heater is on operation. The unit comes standard with a 6' (1828mm) long three wire cord exiting from the rear of the fireplace. Plan the installation to avoid the use of an extension cord. If an extended cord must be used, it must be a minimum 16 AWG three wire with grounding type plug connector and rated no less than 1900 Watts.



**WARNING:** Electrical outlet wiring must comply with local building codes and all other applicable regulations to reduce the risk of fire, electrical shock and injury.



**WARNING:** Do not use this fireplace if any part of it has been under water. Immediately call a qualified service technician to inspect the fireplace and replace any part of the electrical system if necessary.

## ELECTRICAL SPECIFICATIONS

Voltage.....	120 VAC/60Hz
Total Amps.....	11.3 Amps
Total Watts.....	1345 Watts
Heater Ratings.....	1200 Watts

# SERVICE INSTRUCTIONS



**WARNING: Disconnect power before attempting any maintenance or cleaning to reduce the risk of fire, electrical shock or personal injury**

## REPLACING LIGHT BULBS

This fireplace uses two clear 120 Volt, 60 Watt, E-12 socket base light bulbs (small base, chandelier candle type).The 60 Watt bulbs are located under the log set/ember bed. For convenience, if one of the bulbs burns out, it may be a good idea to replace both of the light bulbs.

1. Turn off power to the unit by unplugging the power cord.
2. Let fireplace cool if it has been operating.
3. Open the front door by pulling the handle.
4. Remove the two screws that secure the log set in position.

5. Remove the two screws of the front baffle and take them out.
6. Examine the bulbs to determine which one needs to be replaced.
7. While holding the socket, unscrew the defective bulb(s).
8. Install the new light bulb(s) by holding the socket and screwing them in.
9. Reinstall the baffle, log set and screen. Follow the above procedure in reverse order.



**WARNING: Do not exceed 60 Watts per bulb. Use of higher rated bulbs may result in a fire causing property damage and personal injury.**

## MAINTENANCE OF MOTORS

The motors used on both blowers fan and flame simulator assembly are prelubricated for the extended warranty of the motor, no further lubrication is required. However, periodic cleaning/vacuuming of the fan/heater unit is recommended.



**WARNING: Make sure that the power is turned off before proceeding.**

## GLASS INFORMATION

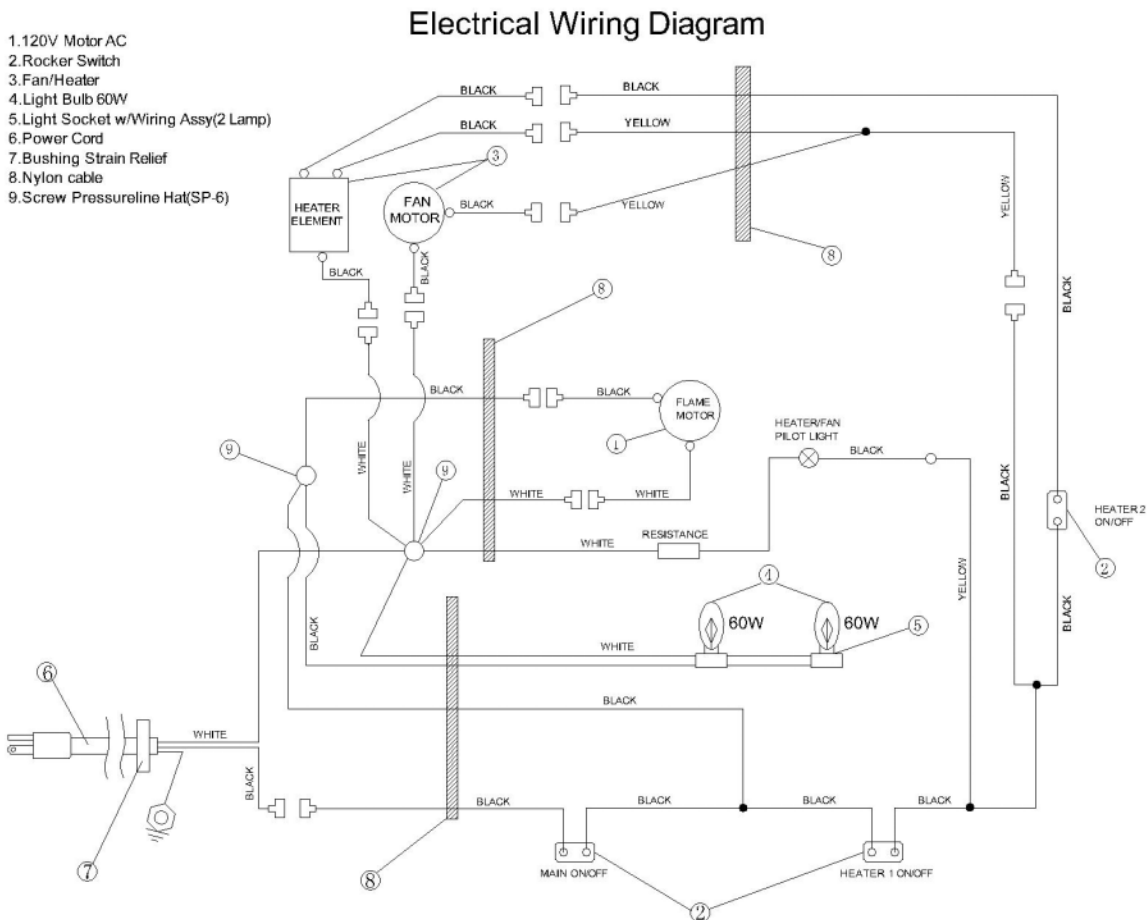
1. Under no circumstances should this product be operated with missing or broken glass.
2. Do not strike or slam the glass.
3. Do not use abrasive cleaners to clean the glass.
4. Replacement glass is available from the manufacturer and replacement should be carried out by a qualified service person.

# ELECTRICAL WIRING DIAGRAM

Any electrical repairs or rewiring of this unit should be carried out by a licensed electrician and accordance with national and local codes.



**If repairing or replacing any electrical component or wiring, please refer to schematic diagram below.**



# Operating Instructions

This section provides easy step by step instructions for operating your fireplace.

1. Make sure the unit is unplugged from the power source (see warning on page 6)
2. Plug the heater into a 15AMP/120volt outlet. If the cord does not reach, you may use an extension cord rated for a minimum of 1900 watts.

To access the controls, open the door of the fireplace at

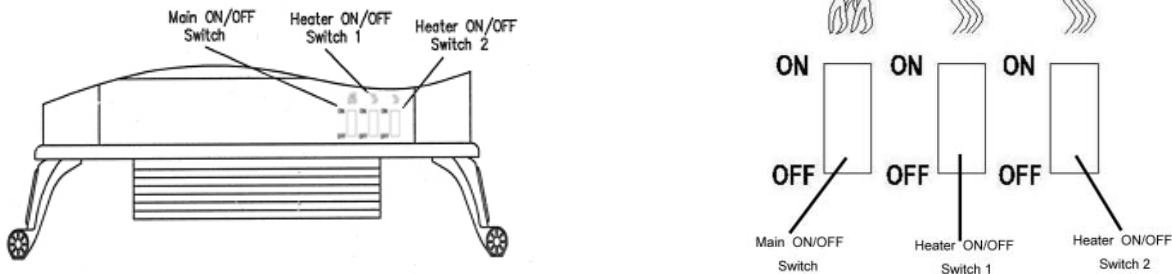


Figure A

## A. PROPER WAY TO INSTALLING HANDLE

Insert handle's threading tip into the hole, turn slightly the handle to proper position and make threading tip get through the hole, screwing the nut supplied. See Figure B

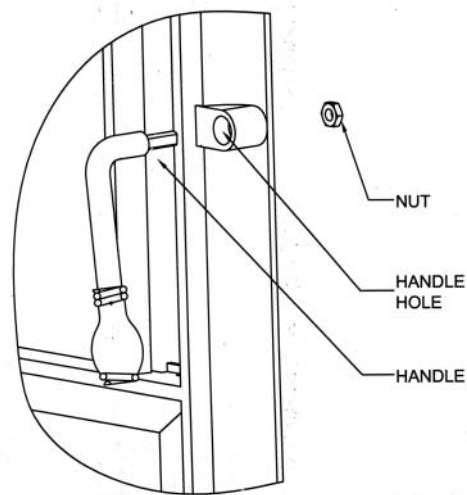


Figure B

## B. MAIN ON/OFF SWITCH

The on/off switch supplies power to all fireplace functions (heater/flame).

## C. HEATER ON/OFF SWITCH 1

The HEATER ON/OFF SWITCH 1 supplies power to the heater fan and the heater element.

**NOTE:** When switched ON, the heater fan and the heater element will operate. But it gives an output of 600W. It is just half of the total power.

## D. HEATER ON/OFF SWITCH 2

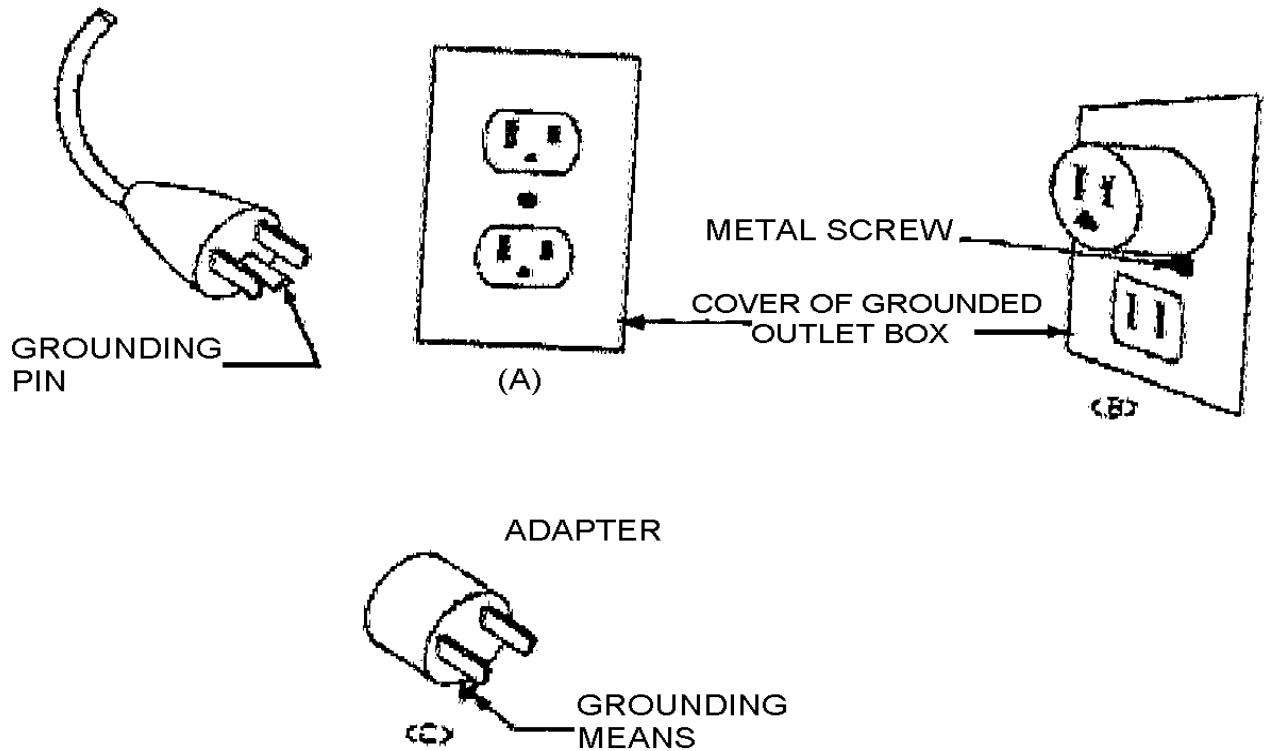
The HEATER ON/OFF SWITCH 2 supplies power to the heater element, and the remaining voltage to the heater.

**NOTE:** When switched ON, the heater fan and the heater element will still operate. But it gives an another output of 600W. Then, the heater will arrive its total value of 1200W. The heater fan and the heater element will not operate if SWITCH 2 is ON but SWITCH 1 is OFF.

## E. INSTRUCTIONS FOR POWER

This heater is for use on 120 volts only. The cord has a plug as shown at A in the following figure. An adapter as shown at C is available for connecting three-blade grounding-type plugs to two-slot receptacles. The green grounding lug extending from the adapter must be connected to a permanent ground such as a properly grounded outlet box. The adapter should not be used if a three-slot grounded receptacle is available.

Warning: Before servicing this heater be sure to unplug heater from wall outlet. Do not only turn off heater from the main "ON/OFF" switch, be sure to unplug this heater.



(Adaptor **NOT** permitted in Canada)  
Under CZ22.2 NO. 0 standard

## SPECIFICATIONS:

### Model: V50HYLC

Voltage: 120V/60HZ      Total Amps: 11.3A  
Total Watts: 1345W      Heating Ratings: 1200W

#### Dimensions, Inches (H x W X D)

Fireplace      24-3/4" x 23-3/8" x 13-3/8"  
Carton      27-1/2" x 29-3/8" x 15-3/8"

#### Weight, Pounds

Fireplace      35  
Shipping      45

### Model: V50HYLD

Voltage: 120V/60HZ      Total Amps: 11.3A  
Total Watts: 1345W      Heating Ratings: 1200W

#### Dimensions, Inches (H x W X D)

Fireplace      24-7/8" x 23-7/8" x 13-7/8"  
Carton      27-1/2" x 29-3/8" x 15-3/8"

#### Weight, Pounds

Fireplace      35  
Shipping      45

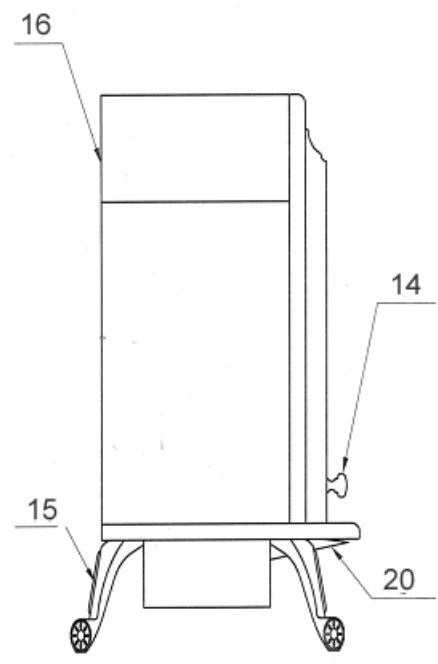
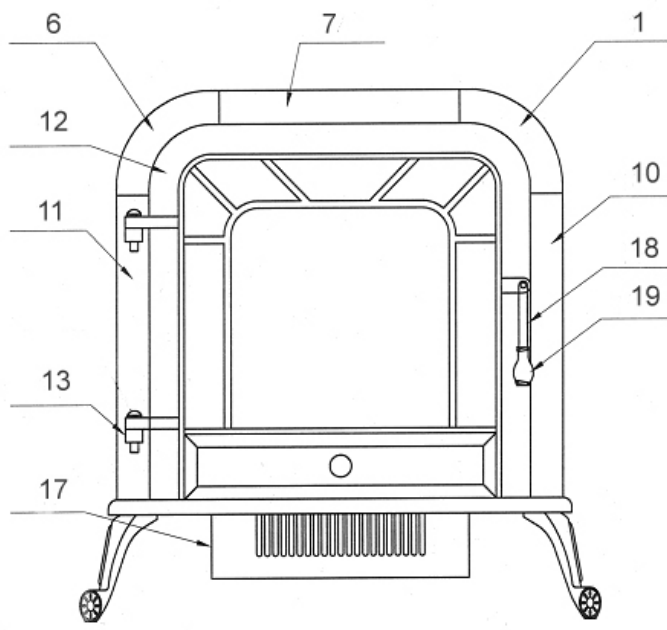
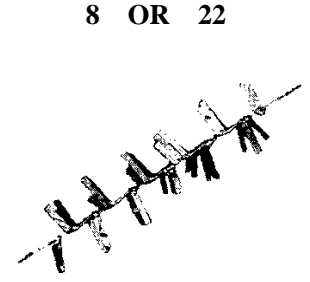
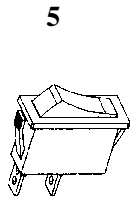
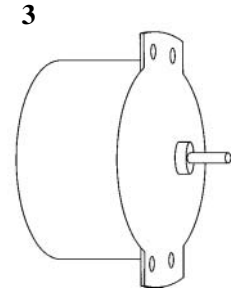
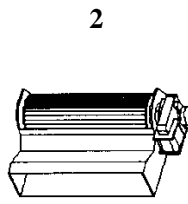
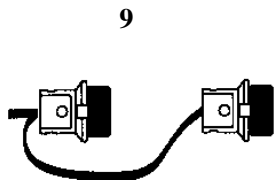
# Replacement Parts List

V50HYLC

Item #	Part Description	Part Number
1	VC Top Panel Right Part	VL107-02Q
2	Fan/Heater Assembly	NFHTX186/V
3	Synchronization Motor-120Volt AC w/Terminal	VL051-01
4	Cord Power 16/3 HPN w/Terminals	NFHL008-A
5	ON/OFF Switch	VL067-01
6	VC Top Panel Left Part	VL107-02Q
7	VC Top Panel (Middle Part)	VL107-02P
8	Flame Generator Assembly	VB17001-C-3
9	Light Bulb Socket	VL054-01
10	Right Side-panel	VL102-01
11	Left Side-panel	VL101-01
12	Door	VL108-01
13	Door Pivot	VL111-01P
14	Door Adorning	VL117-01-A
15	Leg(s)	SL017-04A
16	Back Panel	VL109-01
17	Electrothermal Hood	VL035
18	Door Knob	VCL008
19	Knob Dressing	VCL008-01
20	Air Transfer Panel	VCL011
21	Glistening Paper	VB17001-C-4



# REPLACEMENT PARTS PICTURES OF V50HYLC



# Replacement Parts List

V50HYLD

Item #	Part Description	Part Number
1	Top Panel	VL107-02F
2	Fan/Heater Assembly	NFHTX186/VB17-000G
3	Synchronization Motor-120Volt AC w/Terminal	VL051-01
4	Cord Power 16/3 HPN w/Terminals	NFHL008-A
5	ON/OFF Switch	VL067-01
6	Left Side Panel	VL101-01P
7	Right Side Panel	VL101-02P
8	Flame Generator Assembly	VB17001-C-3
9	Light Bulb Socket w/Wiring Assembly	VL054-01
10	Door	VL108-01
11	Door Pivot	VL111-01P
12	Door Knob	VCL008
13	Knob Dressing	VCL008-01
14	Legs	VCL019-01
15	Electrothermal Hood	VL035
16	Back Panel	VL109-03
17	Door Adorning	VL117-01-A
18	Cross Band	VL113-01G
19	Air Transfer Panel	VCL011
20	Glistening Paper	VB17001-C-4

# REPLACEMENT PARTS PICTURES OF V50HYLD

